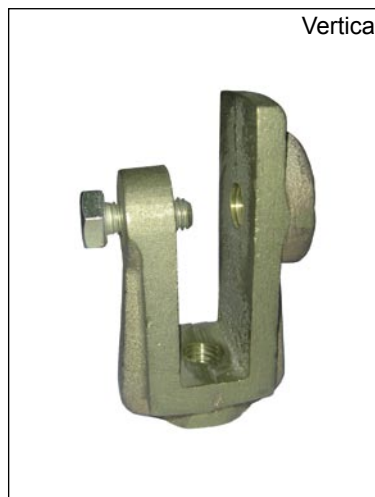
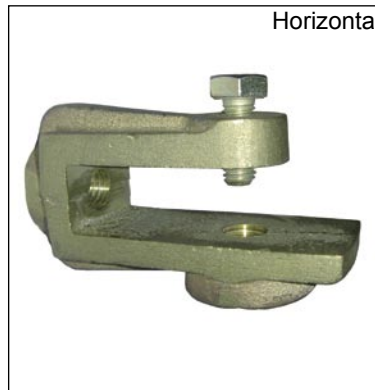
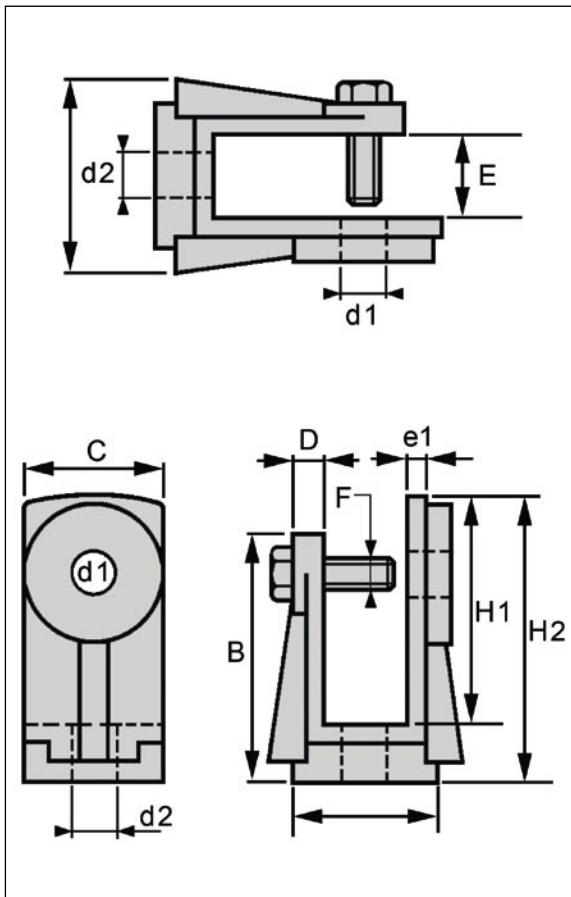


Busbar holders - Busbar U-support
 Supports barres - type U
 Busbar klemmen - U-klemming

- U-type busbar clamp.
- For horizontal of vertical bars
- Made in brass.
- Thread in M8 or M10, other on request.
- On request can be delivered with male thread.

- Type en forme de «U»
- Pour barres horizontales ou verticales
- En laiton.
- Taraudage en M8 ou M10, autre sur demande.
- Sur demande livré avec goujon de fixation.

- Type in U-vorm
- Voor horizontale of verticale staven
- In messing vervaardigd.
- Boring in M8 of M10, andere op aanvraag.
- Op aanvraag geleverd met draadstang.



Art.	E (mm)	H1 (mm)	H2 (mm)	A (mm)	B (mm)	C (mm)	D (mm)	e1 (mm)	d1 (mm)	d2 (mm)	F	gr.
BIN U 30 x 7	7	25	33	22	31	21	6	3	18	17	M6 x 15	50
BIN U 30 x 17	17	25	33	32	31	21	6	4	18	17	M6 x 20	75
BIN U 40 x 7	7	32	40	23	38	25	7	4	23	23	M6 x 15	125
BIN U 40 x 17	17	32	40	36	38	25	7	4	22	20	M6 x 20	
BIN U 40 x 27	27	32	40								M6 x 20	
BIN U 60 x 7	7	47	60	30	50	29	8	6	27	21	M6 x 15	190
BIN U 60 x 17	17	47	60	36	37	25	7	5	22	21	M6 x 20	
BIN U 60 x 27	27	47	60								M6 x 20	
BIN U 80 x 7	7	65	80								M8 x 15	
BIN U 80 x 17	17	65	80								M8 x 20	
BIN U 80 x 27	27	65	80								M8 x 30	
BIN U 80 x 37	37	65	80								M8 x 30	
BIN U 100 x 7	7	85	100								M8 x 15	
BIN U 100 x 17	17	85	100								M8 x 20	
BIN U 100 x 27	27	85	100								M8 x 20	
BIN U 100 x 37	37	85	100								M8 x 30	