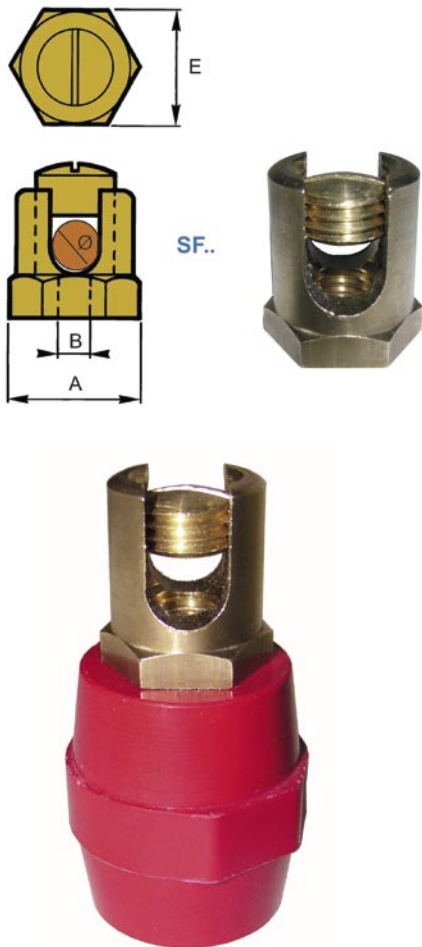
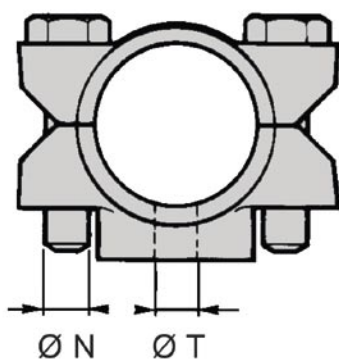


Line supports made out of brass.
 Serre-fils en laiton.
 Kabel/draad verbindingsklem in messing.



Art.	A (mm)	E (mm)	Ø (mm)	B (mm)
SF 66	19,55	17	4-6	M6
SF 67	19,55	17	4-6	7 x 150
SF 68	19,55	17	4-6	M8
SF 86	21,85	19	4-8	M6
SF 87	21,85	19	4-8	7 x 150
SF 88	21,85	19	4-8	M8
SF 810	21,85	19	4-8	M10
SF 106	24,15	21	6-10	M6
SF 107	24,15	21	6-10	7 x 150
SF 108	24,15	21	6-10	M8
SF 1010	24,15	21	6-10	M10
SF 126	27,60	24	6-12	M6
SF 127	27,60	24	6-12	7 x 150
SF 128	27,60	24	6-12	M8
SF 1210	27,60	24	6-12	M10
SF 146	29,90	26	8-14	M6
SF 147	29,90	26	8-14	7 x 150
SF 148	29,90	26	8-14	M8
SF 1410	29,90	26	8-14	M10
SF 166	34,50	30	10-16	M6
SF 167	34,50	30	10-16	7 x 150
SF 168	34,50	30	10-16	M8
SF 1610	34,50	30	10-16	M10

Round busbar supports
 Support pour conducteurs ronds.
 Steun voor ronde geleiders



Art.	Ø Tube (mm)	Ø N (mm)	Ø T (mm)
ST 20	20	6	M10 / M12 / M16
ST 25	25	8	M12 / M16
ST 30	30	8	M12 / M16
ST 50	50	8	M12 / M16

