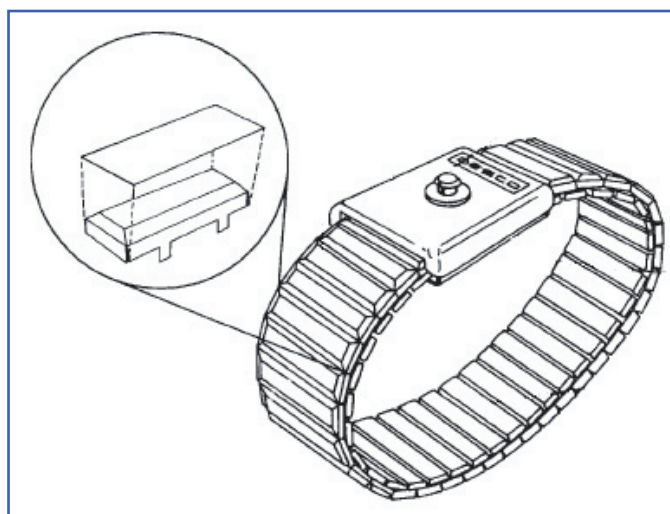


Premium Fixed Size Metal Expansion Wristband

- **Fixed sized bands available in three sizes.**
Easy to use - no adjustment necessary. Three sizes provide an excellent fit for most people.
- **Premium metal expansion wristband.**
Comfortable, designed not to pinch or pull hair.
- **Durable metal band.**
Long wearing, easy to clean.
- **Superior contact with skin.**
For reliable removal of generated static charges.
- **Non-flaking or scratching laminated insulator on all external surfaces.**
Protects wearers from electrical hazards. Provides many years of product life.
- **Medical grade stainless steel interior expansion band.**
Will not cause allergic skin reactions for most people.
- **Date coded.**
Providing lot traceability to ensure quality control.
- **Designed to satisfy Wrist Strap requirements of IEC 61340-5**
- **Per EN 61340-5-1 paragraph 5.5 EPA working practices**
"The primary means of grounding personnel shall normally be by a wrist strap connected to an EBP." Paragraph 5.2.7 "The wrist strap shall consist of a band that fits snugly around the wrist and a cord to connect the band to an EBP. The wrist strap shall incorporate a quick release connection. The cord shall have a termination compatible with the EBP and shall incorporate at least one insulated current-limiting resistor. The total resistance from hand to EBP shall be in accordance with table 1 [Rg 7,5 x 10⁵ to 3,5 x 10⁷ ohms]."



10 mm stud version		Circumference	
Art.	Description	Min.	Max
60023	Large	185 mm	330 mm
60022	Medium	165 mm	305 mm
60021	Small	140 mm	255 mm

4 mm stud version		Circumference	
Art.	Description	Min.	Max
60026	Large	185 mm	330 mm
60025	Medium	165 mm	305 mm
60024	Small	140 mm	255 mm

