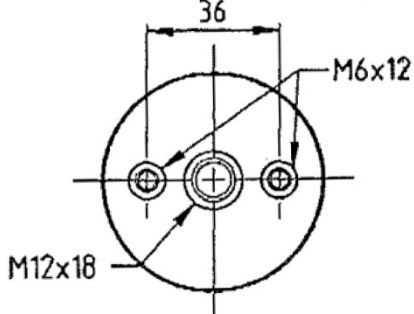
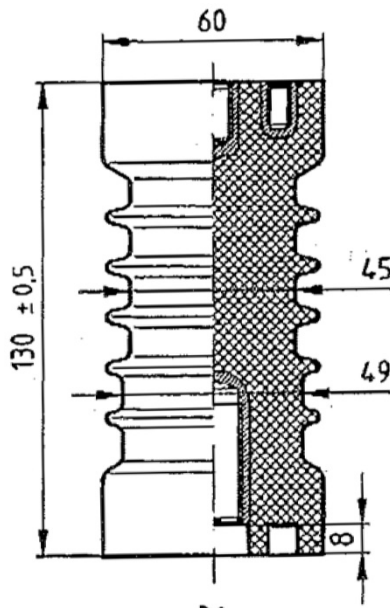


Bottom fitting




Design 1/1 with potential connection

Tests corresponding IEC 60660 (VDE 0441/part 3)

Color = RAL 8016

		JO6-75	75 kV	38 kV	> 5 kN	174 mm	5	0,58 kg
Type	Designation corresponding DIN 48136	Designation corresponding IEC 60273	Lightning impulse withstand voltage	Power frequency withstand voltage, dry	Failing load bending	Creepage distance	Numbers of ribs	Weight

Index	Modification / Complement	Date	Name	Appr	Index	Modification / Complement	Date	Name	Appr
a	Product number				D				
b					E				
c					f				

	Date	Name	Customer	Article	Drawing N° : 4.1099/84-ex1				
Prepared		JB	BINAME	B4423	 BINAME INSULATORS Robert Dansaertlaan 250 1702 Groot-Bijgaarden Belgium				
Approved			Material : Epoxy						
Scale	Type :								
General tolerances DIN 16901 130	Casting epoxy resin indoor post insulator								
	JO6-75								
	B4423								