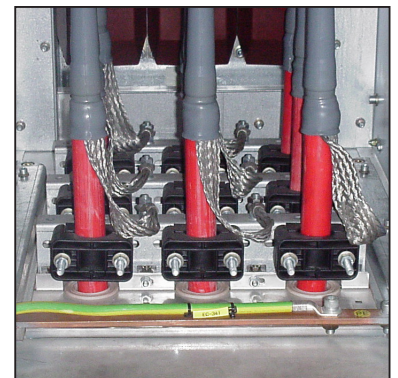


## SPECIFICATIONS KZ CABLE CLAMPS TYPE ST

- Application : Suitable for fitting single- and multiple-conductor low- medium and high voltage cables.
- Range : For cables with a nominal outer diameter from 16 up to 100 mm.
- Material : Black polyamide, fibreglass-reinforced, virgin material. It is halogen-free and resistant to radioactive rays, UV rays, salt water, ozone, oils, acids, fuels and alkalis.
- Flame resistance : UL94 V-0 and classification following DIN 5510-2:2009 with flammability class S3, smoke SR2 and dripping ST-2.
- Standards : According to International Standard NEN-EN-IEC 61914:2016, Certificate of Conformity KZ No 20117C by SGS.
- Flexure strength : 210 N/mm<sup>2</sup>
- Tensile strength : 120 N/mm<sup>2</sup>
- Thermal expansion : 0,01% per 10°C temperature increase.
- Temperature limits : Permanent application from -80°C to +120°C. Brief heating up to +220°C.

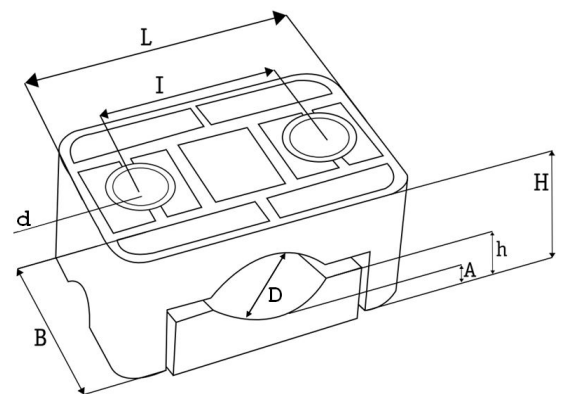


Initial torque for fastening fixing material : 5 – 8 Nm (depends on cable manufacturer's prescription).

Tests have been done by KEMA Netherlands, SGS Belgium, Underwriters Laboratories Inc. and Schneider France.

All products listed in this catalogue are fully compliant manufactured with the latest EU Directive 2011/65/EU (RoHS) list.

Meeting all legal obligations under REACH.



Dimensions in millimeters

Type	DØ	L	B	I	dØ	H	h	A	Strength (N)
KZ ST 18-26	16-26	77	45	49	10,5	36-44	13,5	6	25.400
KZ ST 26-38	26-38	92	60	60	12,5	48-60	21	10	34.900
KZ ST 36-52	36-52	108	60	75	12,5	58-74	27	11	26.100
KZ ST 50-75	50-75	128	60	95	12,5	76-101	35	14	32.300
KZ ST 75-100	75-100	169	80	127	14,5	110-135	51	19	84.600