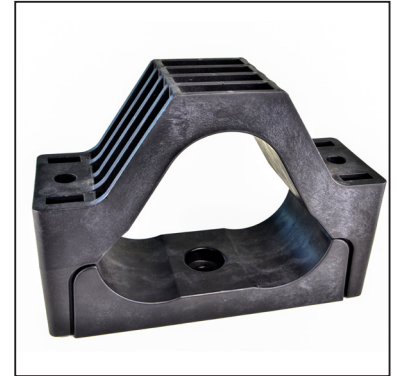


SPECIFICATIONS KZ CABLE CLAMPS TRI 99-120 AND TRI 121-145

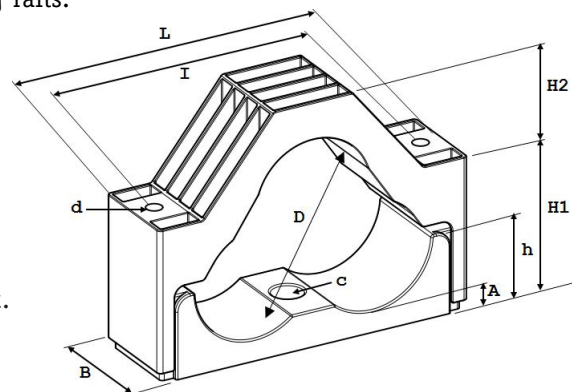
- Application** : Suitable for fitting 3 single- and multiple-conductor low- medium and high voltage cables.
- Range** : For cables with a nominal outer diameter from 99 up to 145 mm.
- Material** : Black polyamide, fibreglass-reinforced, virgin material. It is halogen-free and resistant to radioactive rays, UV rays, salt water, ozone, oils, acids, fuels and alkalis.
- Flame resistance** : UL94 V-0 and classification following DIN 5510-2:2009 with flammability class S3, smoke SR2 and dripping ST-2.
- Standards** : According to International Standard NEN-EN-IEC 61914:2016, Certificate of Conformity KZ No 20117C by SGS.
- Flexure strength** : 210 N/mm²
- Tensile strength** : 120 N/mm²
- Thermal expansion** : 0,01% per 10°C temperature increase.
- Temperature limits** : Permanent application from -80°C to +120°C. Brief heating up to +220°C.
- Benefits** : The central fastening hole in the bottom part of the KZ TRI clamps means they can be fastened to e.g. masts and poles, as well as to concrete and fitting rails.



Initial torque for fastening fixing material : 5 – 8 Nm (depends on cable manufacturer's prescription).

Tests have been done by KEMA Netherlands, SGS Belgium, Underwriters Laboratories Inc. and Schneider France.

All products listed in this catalogue are fully compliant manufactured with the latest EU Directive 2011/65/EU (RoHS) list. Meeting all legal obligations under REACH.



Dimensions in millimeters

Type	DØ	L	B	I	dØ	H1	H2	h	A	C	Strength (N)
KZ TRI 99-120	99-120	342	115	288	19	155-203	98	88	33	18,5	65.000
KZ TRI 121-145	121-150	392	115	338	19	180-238	108	100	33	18,5	65.000